

MT8070T

Human Machine Interface
with 7" TFT LCD display



【 Introduction 】

MT8000 series is the new HMI generation of Weintek. With the design concept of meeting customers' satisfaction while easy-to-Use attribute as before, a MT8000 not only performs as a Human Machine Interface but also plays as a role of data exchange center. Through the most popular Ethernet connection, data can be shared among MT8000s without limitation and any SCADA/HMI software on the PC can simply access data from MT8000s. MT8000 series is the best choice for your requirement tomorrow.

◆ Specifications

- **Construction:** plastic molding housing
- **Display:** 7" color TFT LCD
- **CPU and core logic:** 32Bit RISC 200MHz processor
- **DRAM:** 64 MB on board
- **Storage:** 32 MB flash memory on board,
- **I/O:** 3 serial ports: Com1: RS-232/RS-485 2w/4w,
Com2: RS-232,
Com3: RS-232/RS-485 2w
1 Ethernet port (10/100Base-T)
2 USB 2.0 full-speed host (12Mbps)
- **RTC:** Built-in
- **Power input:** 24 V_{DC}, 350mA @ 24VDC
- **Dimension (W x H x D):** 200 x 146 x 42.5mm
- **Weight:** 0.85kg
- **Software:** EB8000 V1.3.1 or later

◆ Features

- 7" 480x234 TFT LCD
- Fan-less cooling system
- Built-in flash memory and RTC
- NEMA4/IP65 compliant front panel
- LED Back Light

◆ LCD Display

Display type	TFT LCD
Display size (diagonal)	7"
Max colors	65536
Resolution	480 x 234
Pixel pitch (HxV, mm)	0.321 x 0.370
Viewing angle (°)	40/60/60/60(T/B/R/L)
Luminance (cd/m ²)	350
Backlight	LED
Backlight Life time	30,000 hrs.
Contrast ratio	200:1

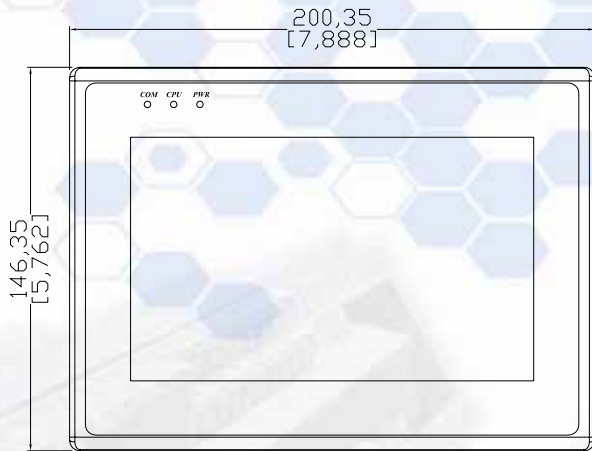
◆ Touchscreen

- **Type:** 4-wire, analog resistive
- **Resolution:** continuous
- **Light transmission:** above 80%
- **Life:** 1 million activation minimum

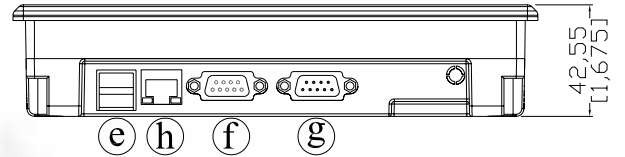
◆ Environmental Specifications

- **Operating temperature:** -10° ~ 45°C (14° ~ 113°F)
- **Relative humidity:** 10% ~ 90% @ 40°C, non-condensing
- **Shock (operation):** 10 to 25Hz(X,Y,Z direction 2G 30minutes)
- **EMI:** Complies with FCC class A
- **CE:** Complies with EN50081-2 and EN50082-2 standards
- **Front panel meets NEMA4 / IP65**

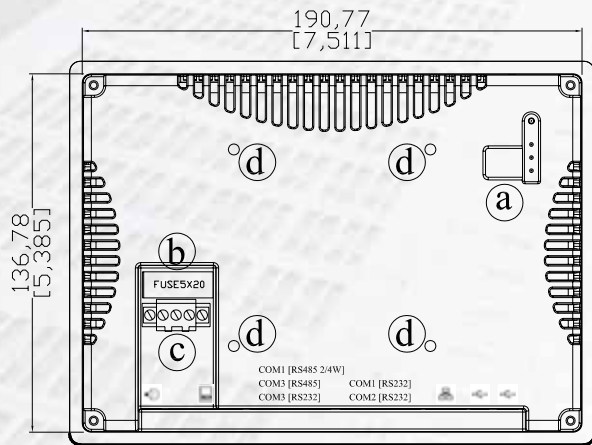
◆ Dimensions Drawing



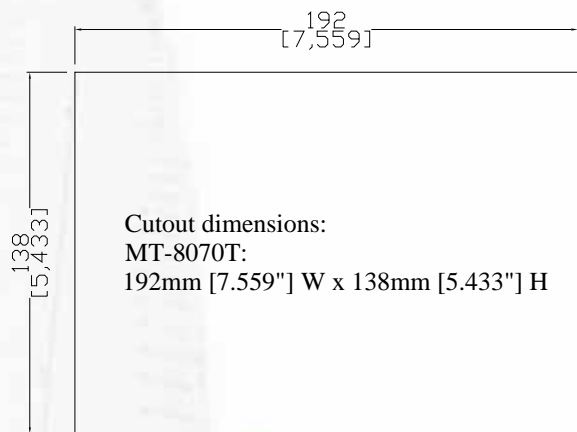
Front View



Bottom View



Rear View



Cutout dimensions:
 MT-8070T:
 192mm [7.559"] W x 138mm [5.433"] H

a	DIP SW & Reset button	e	USB Host x 2
b	Fuse	f	Com1[232], Com2[232]
c	Power connector	g	Com1 RS485, Com3 RS485, Com3 RS232
d	VESA 75mm screw holes	h	Ethernet port (RJ-45)

Ordering Information

□ **MT8070T:**
 7" TFT LCD HMI, 32MB flash memory/64MB DRAM on board.